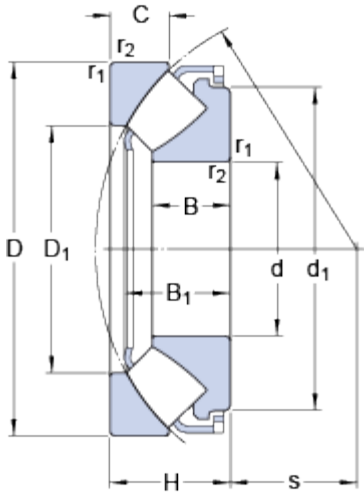


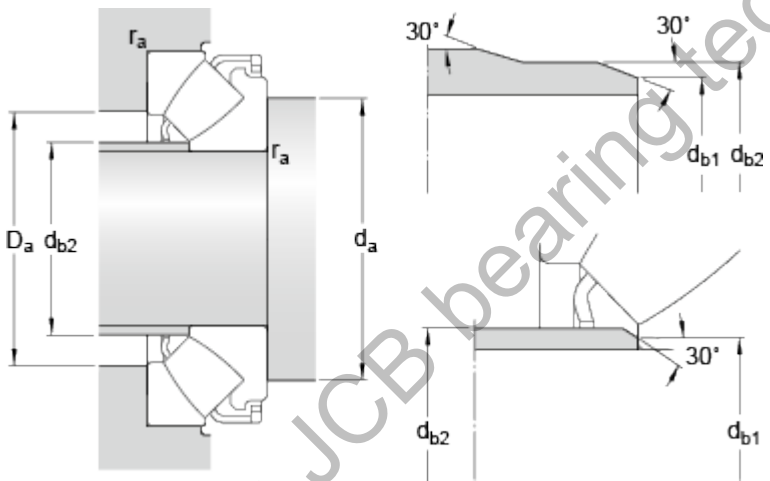
29324-YA8

Dimensions



d	120	mm
D	210	mm
H	54	mm
d ₁	≈ 188	mm
D ₁	≈ 155	mm
B	34	mm
B ₁	48.2	mm
C	27	mm
s	70	mm
r _{1,2}	min. 2.1	mm

Abutment dimensions



d _a	min. 160	mm
d _{b1}	max. 128	mm
d _{b2}	max. 128	mm
D _a	max. 181	mm
r _a	max. 2	mm

Calculation data

Basic dynamic load rating	C	765	kN
Basic static load rating	C ₀	2120	kN
Fatigue load limit	P _u	245	kN
Reference speed		1700	r/min
Limiting speed		2800	r/min
Minimum axial load factor	A	0.43	

Mass

Mass bearing	7.35	kg
--------------	------	----